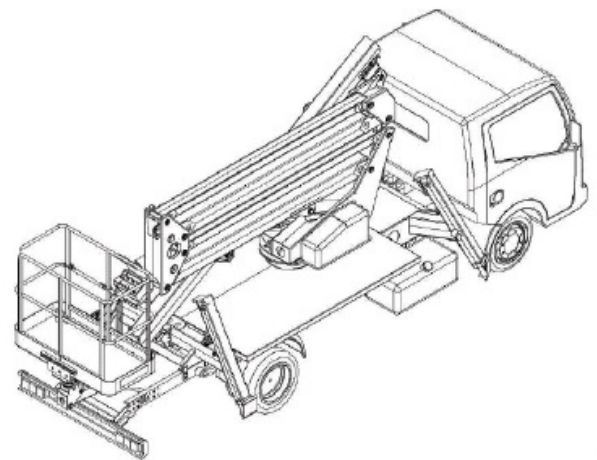
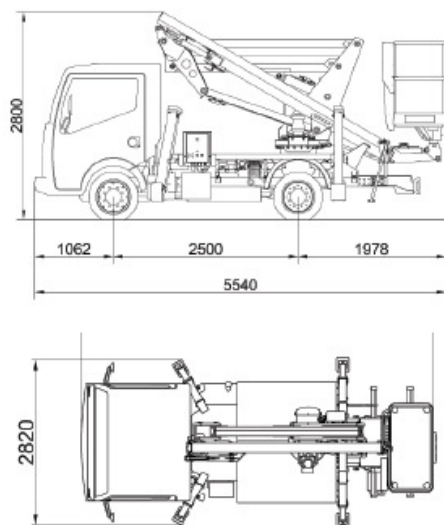
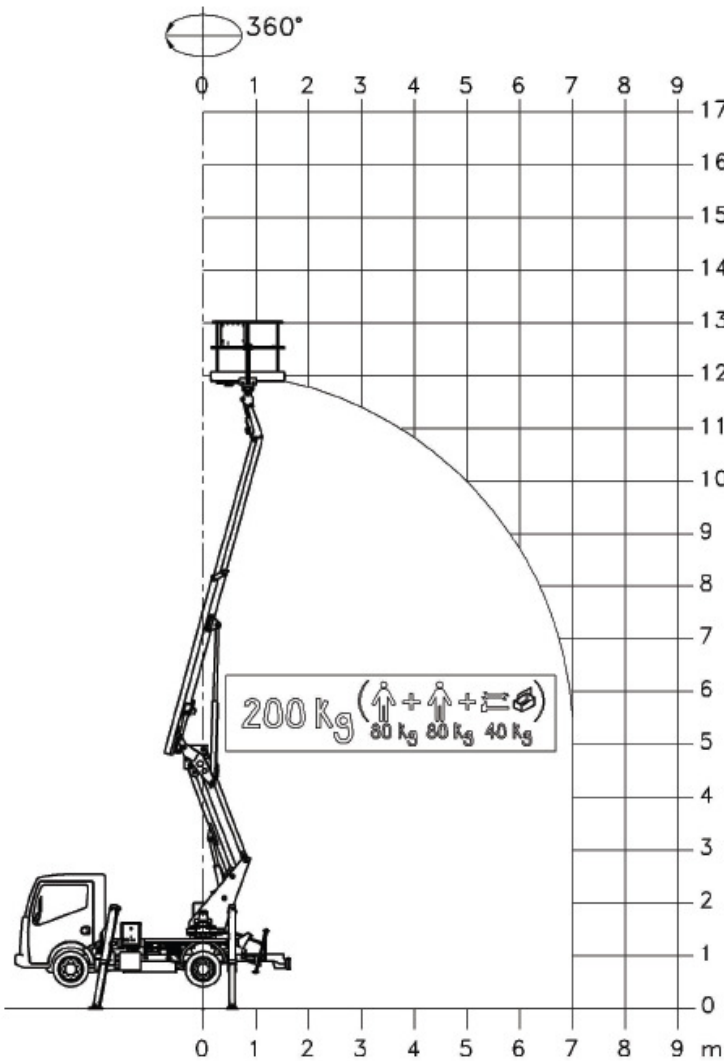


## Z14 - Cherry Picker

### Technical specifications

#### Technical data

- Maximum load on platform: **200 kg. (2 people and 40)**
- Maximum height of floor: **11.90 m**
- Maximum height for working: **13.5m (44ft)**
- Outreach limit: **7.0m (23ft)**
- Maximum straddle (from centre bearing to platform): **7.00 m**
- Maximum straddle for working: **7.50 m**
- Maximum permitted inclination of ground: **3°**
- Maximum permitted inclination of frame: **0°**
- Maximum tolerated wind speed: **12.5 m/sec**
- Turret rotation: **360°**
- Levelling of work platform: **Hydraulic parallelogram**
- Rotation of work platform: **65° right + 65° left**
- Dimensions of work platform: **700 x 1400 x 1100 mm**
- Maximum permitted lateral manual pressure: **40 daN**
- Voltage of power supply: **12 V**
- Controls: **Individual proportional electro-hydraulic**
- Capacity of hydraulic oil reservoir: **28 l.**
- Maximum working pressure: **170 bar**
- Overall weight: **3.5 ton**
- Maximum pressure of stabilizer on ground: **2800 daN**
- Stabilization centre distance of axle and plate (min): **2310 mm**
- Stabilization centre distance of axle and plate (max): **2560 mm**
- Centre distance of stabilizers: **2580 mm**



#### Contact Us:

Tel: (020) 8408 1111

Email: [info@homer-hire.co.uk](mailto:info@homer-hire.co.uk)

Web: [www.homer-hire.co.uk](http://www.homer-hire.co.uk)

Homer House, 839-841 London Road, Cheam, Sutton, Greater London SM3 9DR

