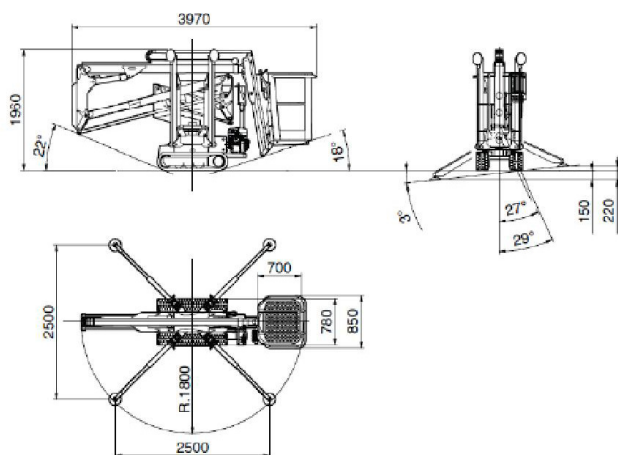
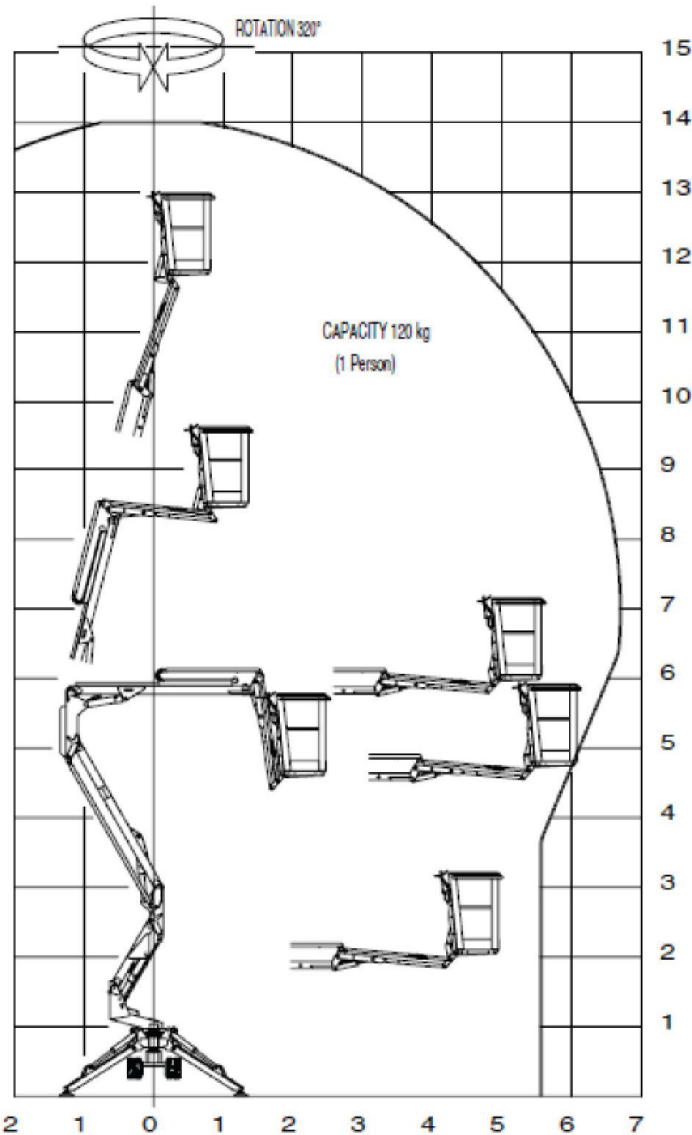


Technical data

- Max. height of work platform surface: 11,88m
- Max. working reach: 6,50m
- Max. working reach for platform: 6m
- Max. inclination for PLE without inclinometer: 3%
- Machine mass: 1600kg
- Traction: with tracks
- Max. translation speed: 1,5 km/h
- Stabilisers: tilted with hydraulic lowering
- (PLE) platform levelling: closed circuit hydraulic power
- Work arm: with hydraulic extension
- Arm angle: 75°
- Pantograph: double-section (4 bars)
- Pantograph angle: 60° (both sections)
- Superstructure rotation: 320°
- Controls: sensitised hydraulic
- Oil tank capacity: 25l
- Pump: with gears
- System pressure: 180 bar
- Max. slope that can be moved over: 25% moving forwards
- Max. wind speed: 12.5m/sec
- Electrical system voltage: 12 V
- Max. manual force: 20 daN
- Manoeuvring speed: 0,3 m/sec
- Capacity: 120Kg
- Nr. operators: 1



Contact Us:

Tel: (020) 8408 1111

Email: info@homer-hire.co.uk

Web: www.homer-hire.co.uk

Homer House, 839-841 London Road, Cheam, Sutton, Greater London SM3 9DR

